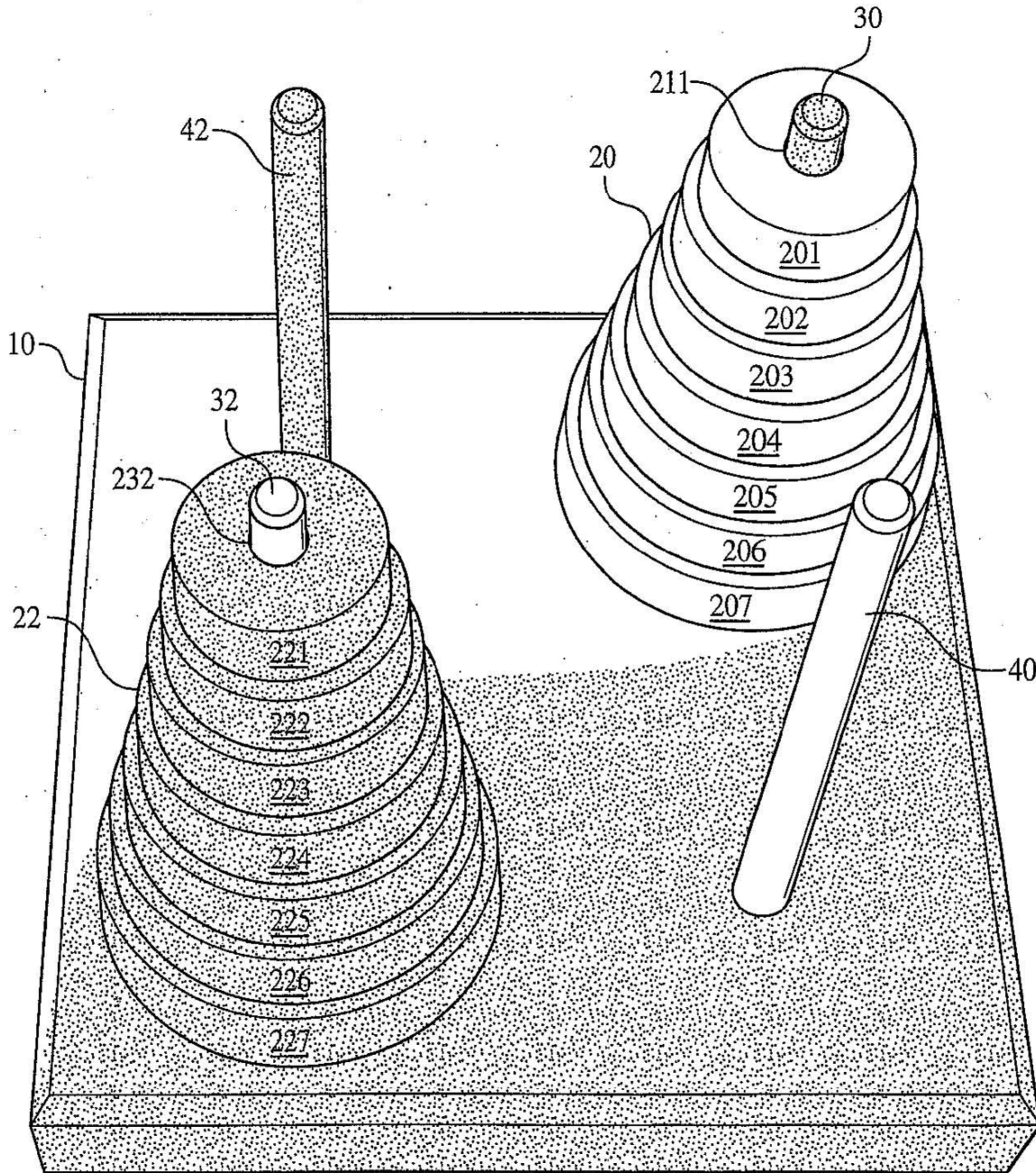


PROGRAMMER WANTED

**To adapt patented, multi-stack version of classic
Tower of Hanoi puzzle for playing on web.**



**Contact Victor Mascolo, Inventor
paintedturtle@verizon.net
516 628 2134**

FIG. 1